



GENERAL SPECIFICATIONS

Features:

- Tub Mount, Floor, or Wall Mount Faucet options
- 66.9" (1700mm) x 31.5"(800mm) x 22.8"(580mm)

Material:

- High grade acrylic with fiberglass re-inforcement.

Code Standards:

- CSA B45.5-11/IAPMO Z124

TECHNICAL INFORMATION

- INSTALLED SIZE:	66.9 x 31.5 x 22.8 in. (1700 x 800 x 580mm)
- FLOOR FOOT PRINT	48 x 22 in. (1220 x 550mm)
- DRAIN LOCATION	Centered
- WEIGHT:	112 lbs (51 KGS)
- WEIGHT W/WATER	637 lbs (289 KGS)
- GALLONS TO OVERFLOW:	63 Gallons (238L)
- BATHING WELL AT SUMP:	46.5 x 18 in. (1180 x 450mm)
- BATHING WELL AT RIM:	64 x 29 in. (1630 x 740mm)
- WATER DEPTH TO OVERFLOW:	15.5 in. (395mm)
- FLOOR LOADING (Project Area)	86.9 lbs per sq/ft (430.7 kg per sq/m)

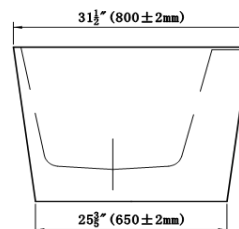
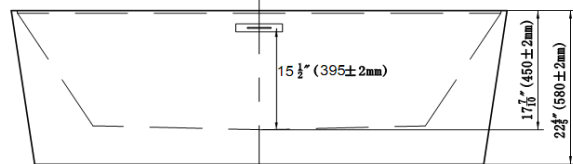
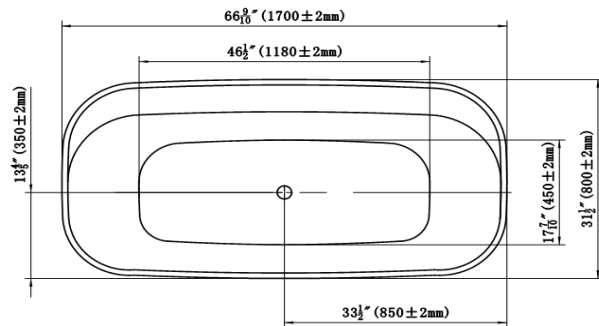
DIMENSIONS OF FIXTURES ARE NOMINAL AND MAY VARY WITHIN THE RANGE OF TOLERANCES ESTABLISHED BY ANSI STANDARDS Z124.1.2-2005

NOTES:

- Refer to the installation instructions supplied with this product for additional information.
- Provide suitable reinforcement for all supports.

IMPORTANT:

- These measurements are subject to change. No responsibility is assumed for use of superseded or voided leaflet.



ELEVATION SOURCING, LLC
15565 Wright Brothers Drive
Addison, Texas 75001
OFF: 214/572-2000